



Ventilation/exhaust air set (wired) ZAS K2

consisting of:

Active isolating relay ATR U2

with change-over contact 10 A for potential separated contact conversion with internally generated control voltage (PELV)

Magnetic contact MKW 1

Universally applicable change-over contact for monitoring windows, doors, etc.

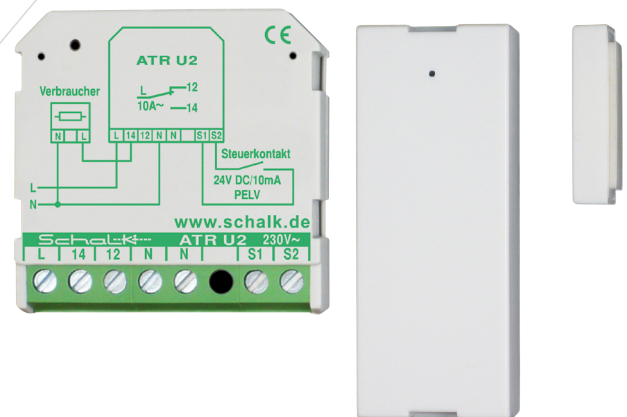
Ventilation/exhaust-fan set (wired) for controlling exhaust air systems in conjunction with room air-dependent fireplaces (Germany: according to §4 FeuVO)

Special features ATR U2

- ▶ no external control voltage required
- ▶ very compact design
- ▶ very low power consumption
- ▶ quick and uncomplicated installation

Special features MKW 1

- ▶ Internal spring-loaded terminals
- ▶ quick and easy installation



General information

The active isolating relay enables mains voltage consumers to be switched very easily using extra-low voltage contacts. There is no need for a power supply unit, as the relay generates the necessary control voltage (24V DC PELV) internally. In conjunction with the MKW 1 magnetic contact, it is thus possible, for example, to implement the supply air monitoring (frequently required for enclosed rooms when operating exhaust fans) with little effort. Due to the change-over contact the ATR U2 is extremely versatile.

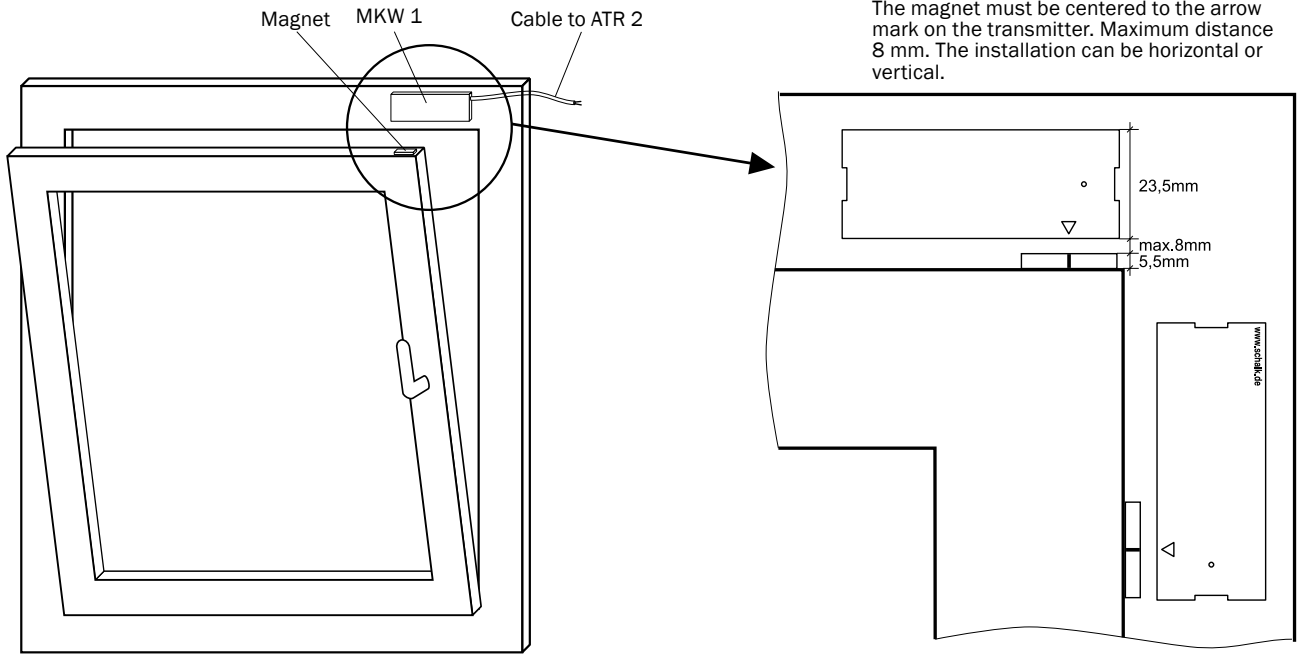
Applications

Window monitoring in connection with fume hoods, signal circuits, alarm messages, door monitoring, theft protection, etc.

Operation

On the mains voltage side, the ATR is continuously supplied via terminals L and N. If terminals S1 and S2 are bridged on the low voltage side, relay contact 14 is switched through. The terminal voltage between S1 and S2 is 24 V DC (PELV). The control current is 10 mA.

Installation

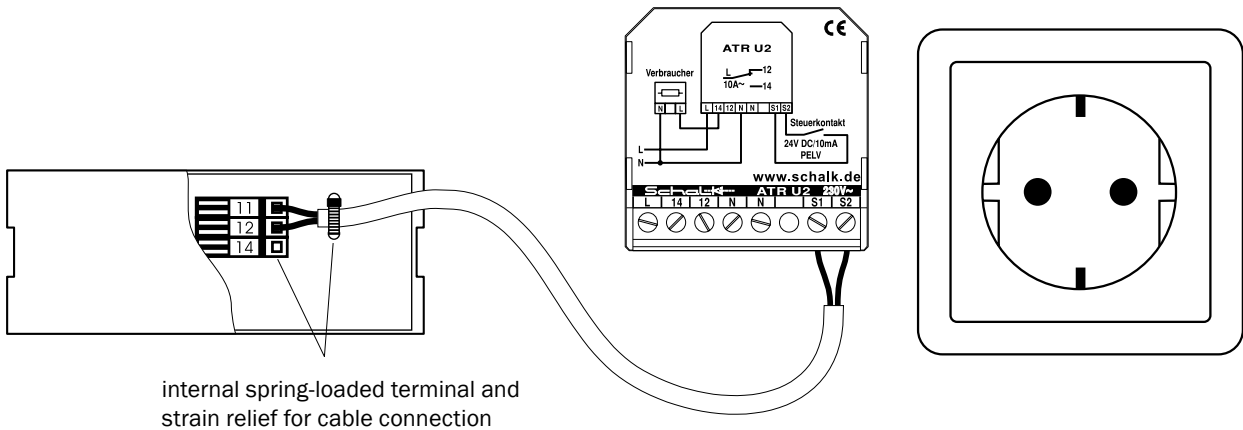


Caution

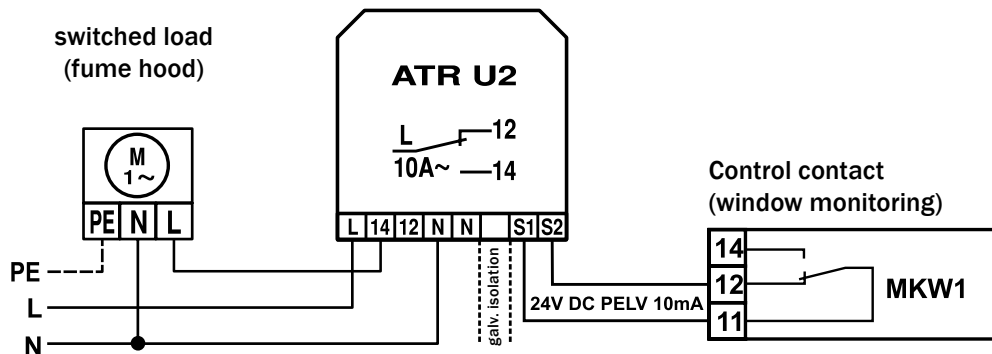
When used as supply air monitoring it must be ensured that sufficient fresh air can always flow in through the opened window! If the monitored window has a roller shutter, it must be ensured that even if the shutter is closed, fresh air can still flow in! For electrically operated systems, e.g. the limit switch can be adjusted accordingly. For manually actuated roller shutters, a mechanical limit stop must be installed.

Example of use

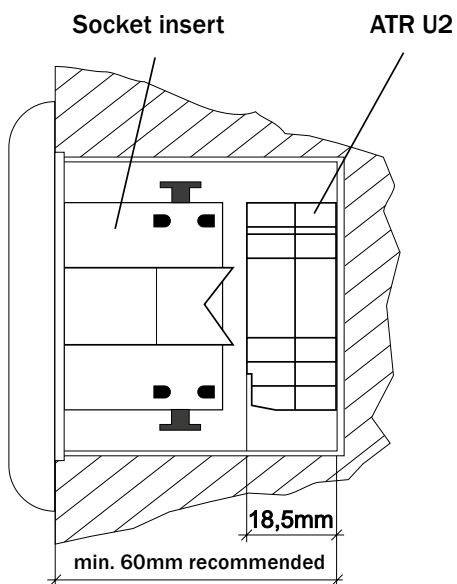
Switched socket for fume hood - the ATR can be installed behind the socket to be switched



Connection example



The normally closed contact MKW 1 is used to control an extractor hood (OPEN window > magnetic contact closed > fume hood in operation)



Technical data ATR U2

Operating voltage:	230 V 50/60 Hz 10 %
Power consumption:	approx. 0.4 W
Voltage / current at control input	24 V DC (PELV) at 10 mA
Relay output	1 CO 230V, 10 A
Switch rating AC	max. 2000 W
Glow lamp load	max. 600 W
Electrical service life	min. 100.000 switching cycles
Ambient temp.	-10°C to +45°C
Connection terminals	Socket terminals with captive screws M3
Clamping range	0.5 mm ² - 2.5 mm ²
Strip length	6.5 mm - 7.0 mm
Screwing torque	0.50 Nm
Mounting orientation	arbitrarily
External dimensions	43 x 43 x 18,5 mm
Weight	approx. 40 g
RAL colour	grey 7035 / green 6029

Technical data MKW 1

Contact type	Reed contact change-over contact
Switching voltage	max. 24V AC/DC
Switching current	max. 250 mA
Switch rating	max. 3 W
Connection terminals	Spring clamp terminal with actuating slide
Cable cross-section	0.08 mm ² - 0.5 mm ²
MKW 1 outside dimensions	59.5 x 23.3 x 15.3 mm
Outside dimensions (magnet)	22.2 x 11.2 x 5.5 mm

Order data

Item no.	EAN	Type	Designation
ATRU29	4 046929 601160	ATR U2	Active isolating relay 230V AC / 24V DC PELV, 1 change-over contact
MKW104	4 046929 901079	MKW 1	Magnetic contact, 1 CO 24V UC
MIG100	4 046929 901109	MIG 1	Replacement magnet in housing, self-adhesive for MKW 1/FV2 SM
ZASK29	4 046929 401081	ZAS K2	Ventilation/exhaust air set consisting of ATR U2 and MKW 1