

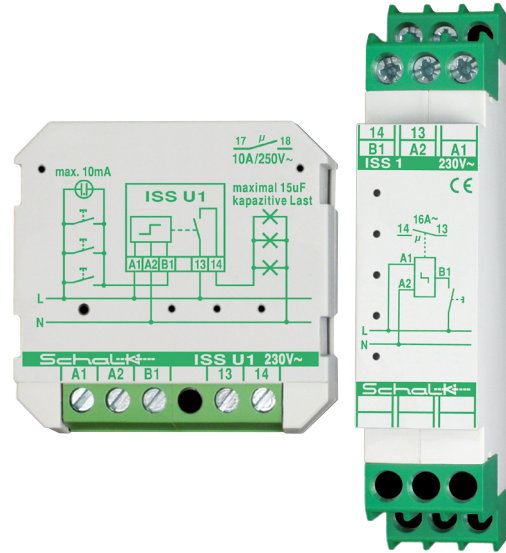


Impulse switch ISS 1 / ISS U1

Impulse switch (pulse switch) with quiet switching behaviour

Special features

- ▶ Small installation dimensions
- ▶ Potential-free switching contact
- ▶ Very low noise switching



General information

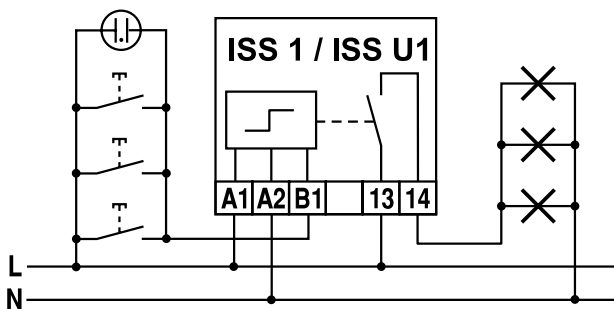
The electronically controlled pulse switches ISS 1 and ISS U1 can also be used without problems where conventional, electromechanical pulse relays are perceived as disturbingly loud due to their very quiet switching behaviour. The flush-mounted version ISS U1 is also suitable for simple retrofitting of existing systems or for renovating old buildings and can be used in switch or junction boxes due to its small dimensions.

Applications

General push-button-controlled switching and lighting technology.

Operation

Connection example



After applying the supply voltage to A1 and A2, the switching state can be changed permanently by a push pulse to B1.

Common technical data

Operating voltage:	230 V 50/60 Hz 10 %
Switch rating	see data sheet: "Relay contact rating"
Ambient temperature	-10°C to +45°C
RAL colour	grey 7035 / green 6029

Technical data ISS 1

Power consumption:	approx. 0.6 W
Relay contact	1 NO contact potential-free 16 A 250 V AC
max. glow lamp load	20 mA
max. line capacitance	470 nF
Connection terminals	Socket terminals with captive screws M3.5
Clamping range	0.5 mm ² - 4.0 mm ²
Strip length	6.0 mm - 6.5 mm
Screwing torque	0.80 Nm
External dimensions	18 x 88 (45) x 58 mm ³
Installation depth	55 mm
Weight	approx. 80 g

Technical data ISS U1

Power consumption:	approx. 0.4 W
Relay contact	1 NO contact potential-free 10 A 250 V AC
max. glow lamp load	10 mA
max. line capacitance	60 nF
Connection terminals	Socket terminals with captive screws M3
Clamping range	0.5 mm ² - 2.5 mm ²
Strip length	6.5 mm - 7.0 mm
Screwing torque	0.50 Nm
External dimensions	43 x 43 x 18,5 mm
Weight	approx. 40 g

Order data

Item no.	EAN	Type	Designation
ISS109	4 046929 601016	ISS 1	Impulse switch, 230V AC, 1 NO 16A
ISSU19	4 046929 601023	ISS U1	Impulse switch, 230V AC, 1 NO 10A (FMD)